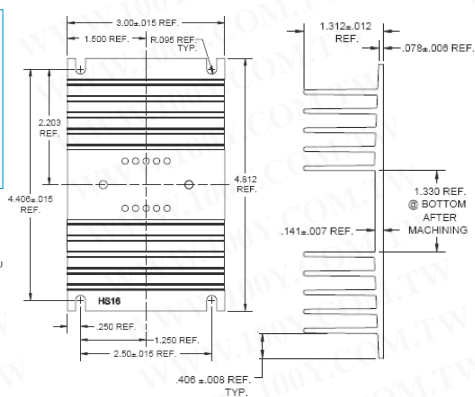
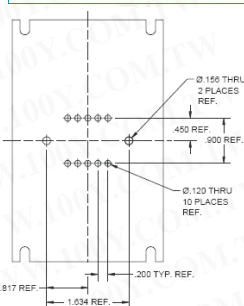
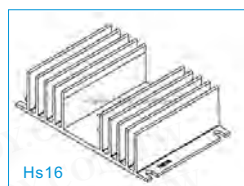


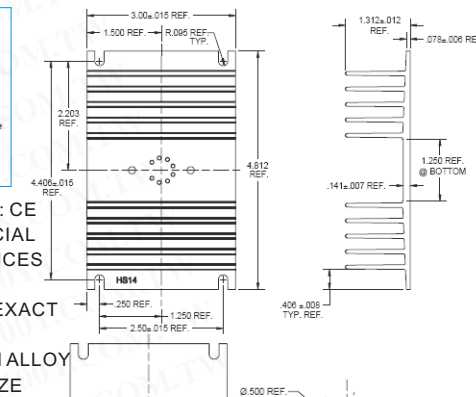
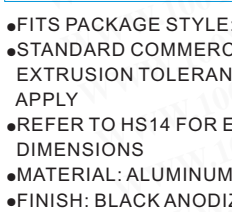
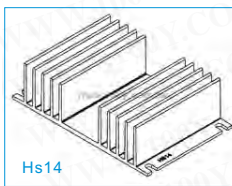


大型高热量用散热片

详细产品规格 - 请点击cn.100y.com.tw



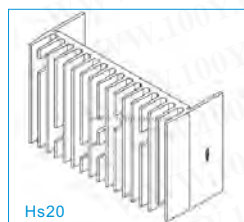
- FITS PACKAGE STYLE: DES
- STANDARD COMMERCIAL EXTRUSION TOLERANCES APPLY
- REFER TO HS16 FOR EXACT DIMENSIONS
- MATERIAL: ALUMINUM ALLOY
- FINISH: BLACK ANODIZE
- THERMAL RESISTANCE: 2°C/W
- WEIGHT: 7.6 oz



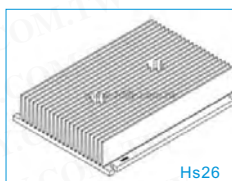
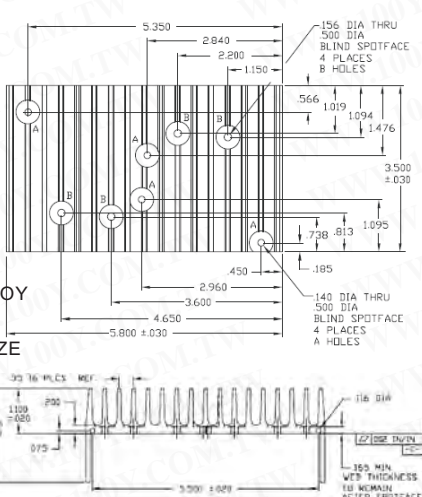
- FITS PACKAGE STYLE: CE
- STANDARD COMMERCIAL EXTRUSION TOLERANCES APPLY
- REFER TO HS14 FOR EXACT DIMENSIONS
- MATERIAL: ALUMINUM ALLOY
- FINISH: BLACK ANODIZE
- THERMAL RESISTANCE: 2°C/W
- WEIGHT: 7.6 oz



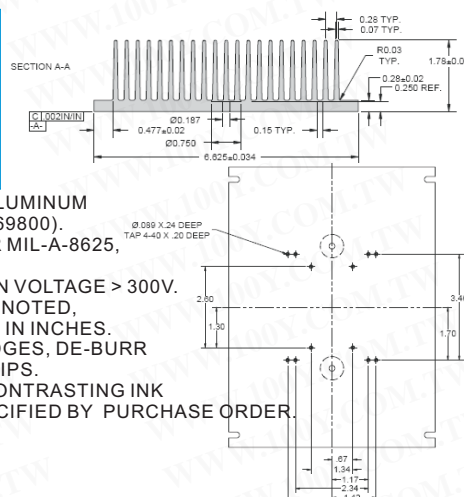
100Y 编号	厂商编号	制造厂商	说明
19991	HS14	APEX	散热片
19992	HS16	APEX	散热片



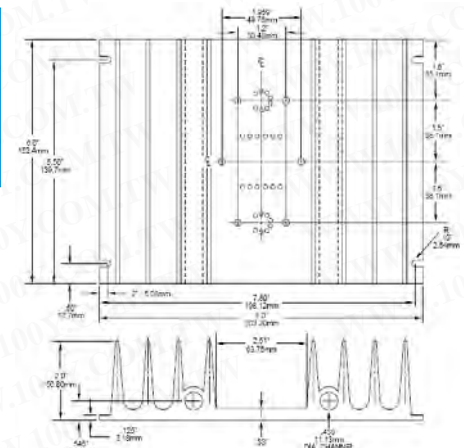
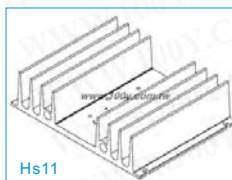
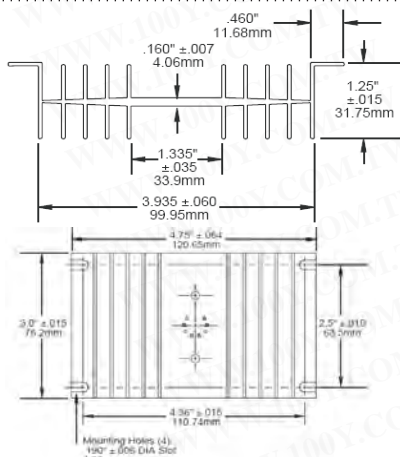
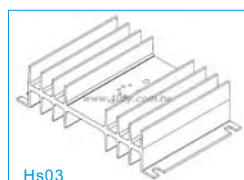
- NOTES:
1. MADE FROM THERMALLOY EXTRUSION 15210
 2. FINISH IS BLACK ANODIZE
 3. RθSA = 1.3°C/W



1. MATERIAL: 6063-T5 ALUMINUM (AAVID EXTRUSION #69800).
2. FINISH: ANODIZE PER MIL-A-8625, TYPE II, CL 2, BLACK.
3. TYPICAL BREAKDOWN VOLTAGE > 300V.
4. UNLESS OTHERWISE NOTED, ALL DIMENSIONS ARE IN INCHES.
5. BREAK ALL SHARP EDGES, DE-BURR & REMOVE LOOSE CHIPS.
6. MARK "HS26" WITH CONTRASTING INK AS SHOWN, IF SPECIFIED BY PURCHASE ORDER.
7. RθSA = 0.5°C/W.



100Y 编号	厂商编号	制造厂商	说明
19994	HS20	APEX	散热片
19999	HS26	APEX	散热片



100Y 编号	厂商编号	制造厂商	说明
19965	HS03	APEX	散热片
19969	HS11	APEX	散热片

