



Rj45母插座

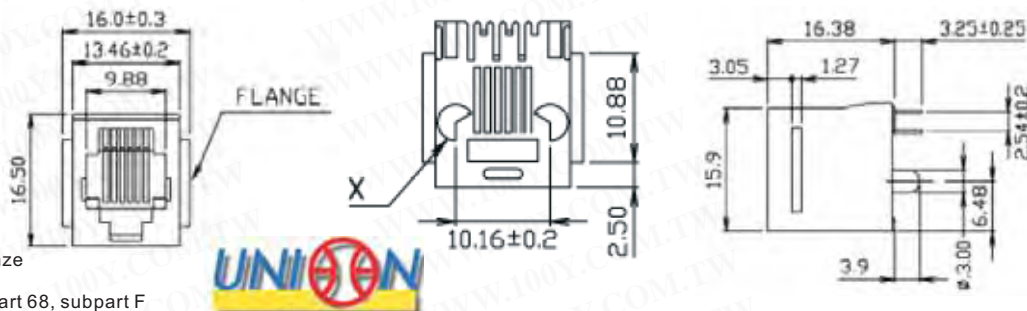
详细产品规格 - 请点击 cn.100y.com.tw



258-8P8C-RJ45

Materials

Housing : PBT polyester UL94V-0
 Mixed glass fiber , standard color : black
 Contacts : 0.45mm Dia , round phosphor bronze
 Plated with hard gold (6u')
 Cavity conforms to fcc rules and regulations part 68, subpart F



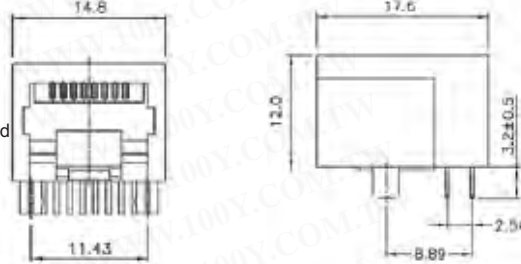
100Y 编号	厂商编号	制造厂商	说明
20502	258-8P8C-RJ45	UNION	PCB JACK



370-1811-10001

SPECIFICATIONS

Material:
 Housing : PBT polyester UO94V0
 Color : Black
 Contacts : 0.45mm Diameter phosphor bronze plated with hard gold
Electrical:
 Current rating : 1.5 AMP MAX
 Voltage rating: 150vac max
 Contact resistance : 500 megohms min
 Dielectric withstanding voltage: 1000VAC 1min



100Y 编号	厂商编号	说明
38902	370-1811-10001	RJ45 10P8C 90°座



RJ10-08F1-K000-02

ELECTRICAL:

Voltage rating : 125vac rms
 Current rating: 1.5amp
 Contact resistance : 42Milliohms max
 Insulation resistance: 1000 megohms min 500v
 Dielectric strength: 1000VDC RMS 60Hz.imin

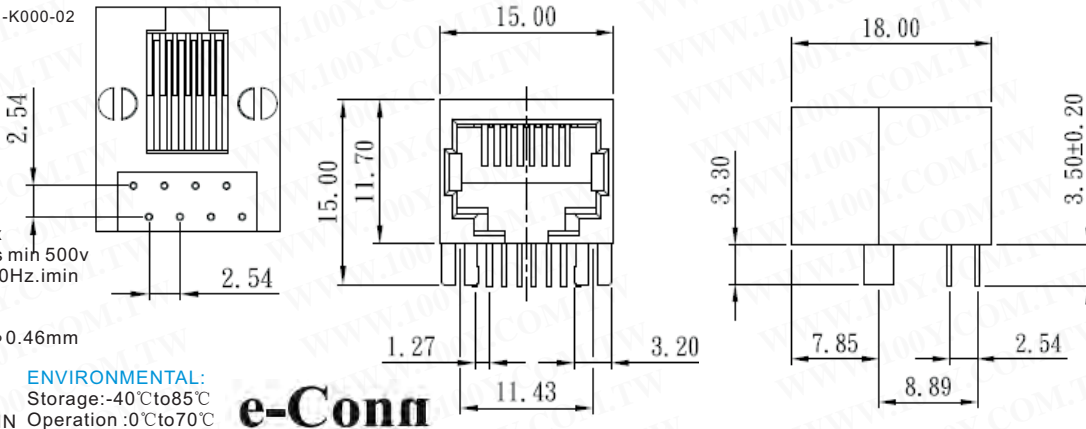
Mechanical:

Housing material : nylon 66 UL94V-0
 Contact material: phosphor bronze ϕ 0.46mm
 Plating : gold plating over nickel.
 Operating life: 250 cycles min
 PCB retention pre-solder: 1 LB MIN
 PCB retention post-solder: 10 LBS MIN

ENVIRONMENTAL:

Storage: -40°C to 85°C
 Operation : 0°C to 70°C

e-Conn



100Y 编号	厂商编号	制造厂商	说明
22603	RJ10-08F1-K000-02	E-Conn	RJ-45 网路 8P8C 黑 PCB 90°

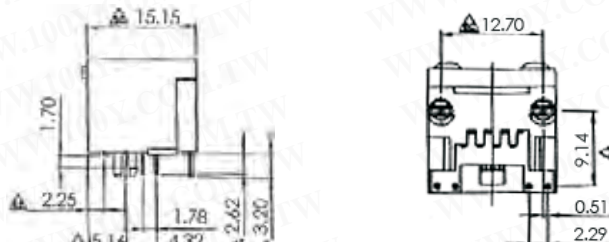


ERJM-S-01-8-8-4

Materials:

Plastic housing : engineering thermoplastic
 Flammability rating UL 94V-0
 Contacts: phosphor bronze
 Plating : gold plating over nickel in contact
 Tin plating over nickel in solder area.

e-Conn

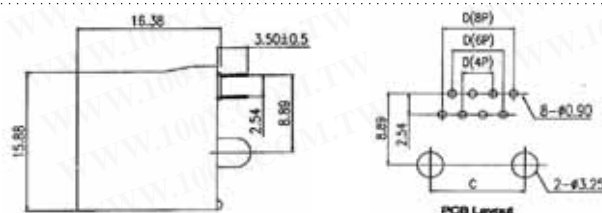


100Y 编号	厂商编号	制造厂商	说明
22622	ERJM-S-01-8-8-4	E-Conn	PHONE-JACK CONN,8P8C BLACK-90° LED(左绿,右黄)



330S-1822-11301

Housing: gloss filled polyester UL94V-0, Black
Contact: 0.45mm diameter phosphor bronze gold plating over nickel



100Y 编号	厂商编号	说明
24568	330S-1822-11301	RJ45 8P8C 180°座

