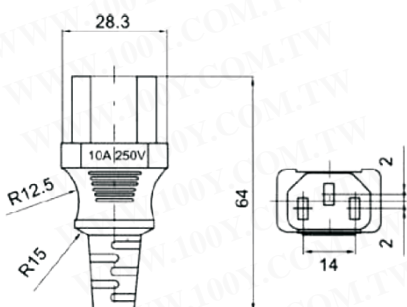




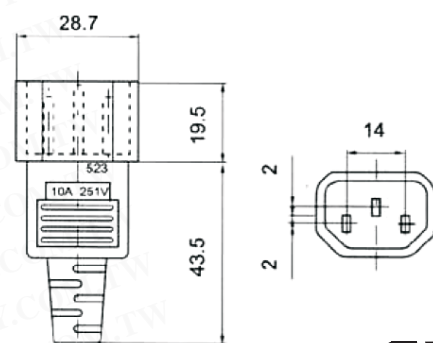
公 / 母 Ac插头

详细产品规格 - 请点击cn.100y.com.tw



Specifications:

- 1. Rating : 10A 250VAC
- 2. Insulation resistance : DC500V 100MΩ (min)
- 3. Dielectric strength : AC 2000V/1 minute
- 4. Housing Material : Nylon#66 UL 94V-2 or 94V-0
- 5. Safety Approval :

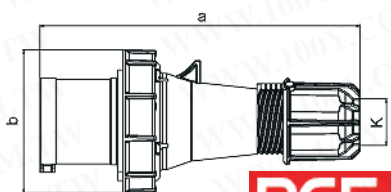


Specifications:

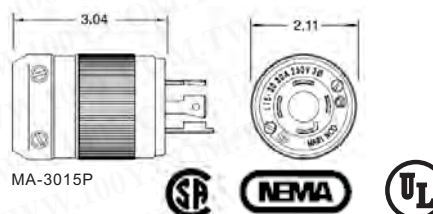
- 1. Rating : 10A 250VAC
- 2. Insulation resistance : DC500V 100MΩ (min)
- 3. Dielectric strength : AC 2000V/1 minute
- 4. Housing Material : Nylon#66 UL 94V-2 or 94V-0
- 5. Safety Approval :



| 100Y 编号 | 厂商编号 | 说明 | Male/Female Plug | Current (A) | Voltage (VAC) |
|---------|------|--------|------------------|-------------|---------------|
| 10016 | 1099 | 三线式公插头 | M | 10A | 250V |
| 7694 | 2001 | 三线式母插头 | 母头 | | |



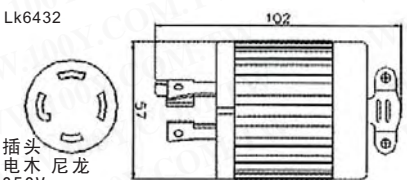
| Ampere | 63 | 63 | 63 |
|------------------|-----|-----|-----|
| Pole | 3 | 4 | 5 |
| a | 257 | 257 | 257 |
| B | 114 | 114 | 114 |
| K | 36 | 36 | 36 |
| Gewicht in Gramm | 547 | 596 | 650 |



Item: Plug, locking.
 Rating: 30 amperes, 250 volts, 3-phase, 3-pole, 4-wire.
 Configuration: NEMA L15-30P
 Materials: All plastic parts are nylon with CTI greater than 600 volts.
 Terminals: Terminals are clamp-type, with color-coded brass terminal screws, 10-32.
 Blades: All blades are solid brass 0.070" thick.
 Certifications: Underwriters Laboratories, Inc. File E57672
 Canadian Standards Association File Lr81290



| 100Y 编号 | 厂商编号 | 制造厂商 | 说明 | Male/Female Plug | Current (A) | Voltage (VAC) | Terminals | Agency Approvals |
|---------|----------|---------|--------------------------------|---------------------|-------------------------------|---------------|-----------|------------------|
| 33912 | 035-9 | PCE | 公接头 Plug "Twist" | IP67 Plug 230V 5PIN | 63A-9h/3P+N+E/50+60Hz Typ 035 | 230V | 3PIN | |
| 28833 | MA-3015P | MARINCO | 30A 250V 3φ NEMA Locking, Plug | Plug, Locking | 30A | 250Vac | 4Pins | E57672, LR81290 |



插头 电木 尼龙 250V



- Current (A): 16A
- Voltage (VAC): 230V~250V



| 100Y 编号 | 厂商编号 | 制造厂商 | 说明 | Male/Female Plug | Current (A) | Voltage (VAC) | Terminals |
|---------|--------|------|-------------|------------------|-------------|---------------|-----------|
| 3222 | 02980 | LKEN | 工业灰色插头 | Male | 16A | 230V-250V | |
| 33730 | LK6432 | LKEN | 4P Plug 30A | M | 30A | 250V | 4P |



Description: LK-7004
 H型3P15A接地电缆线中间橡胶插头
 Current (A): 15A
 Voltage (VAC): 125V
 Male/Female Plug: M



Description: LK-8320
 T型3P20A引挂橡胶插头
 Current (A): 20A
 Voltage (VAC): 250V
 Male/Female Plug: M



Description: WJ-2320
 Y型3P20A橡胶插头
 Current (A): 20A
 Voltage (VAC): 250V
 Terminals: 3P



Description: LK-6320
 Y型3P20A引挂橡胶插头
 Current (A): 20A
 Voltage (VAC): 250V
 Terminals: 3P

| 100Y 编号 | 厂商编号 | 制造厂商 | 说明 | Male/Female Plug | Current (A) | Voltage (VAC) | Terminals |
|---------|---------|------|----------------------|------------------|-------------|---------------|-----------|
| 19495 | LK-6320 | LKEN | Y型 3P20A 引挂插头 | M | 20A | 250V | 3P |
| 19790 | LK-7004 | LKEN | H型 3P15A 接地电缆线中间橡胶插头 | M | 15A | 125V | |
| 16697 | LK-8320 | LKEN | T型 3P20A 引挂橡胶插头 | M | 20A | 250V | |
| 40092 | WJ-2320 | | Y型 3P20A 橡胶插头 | M | 20A | 250V | 3P |

