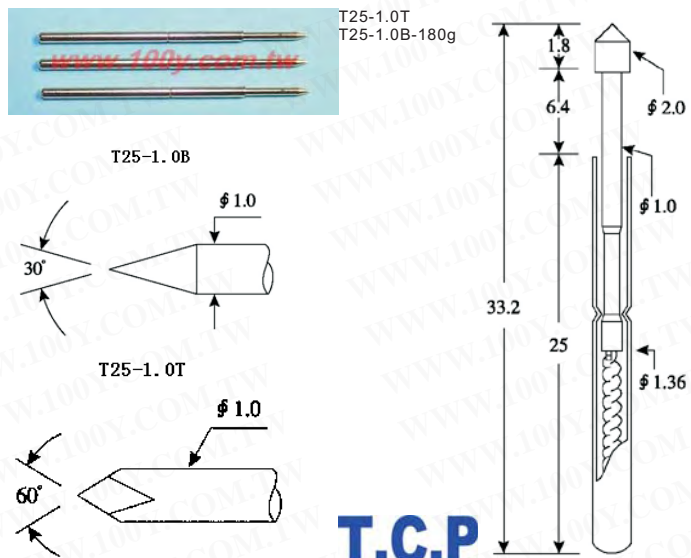


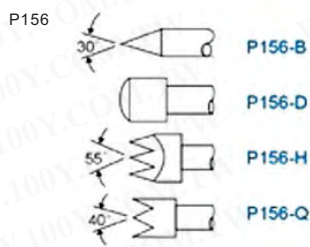
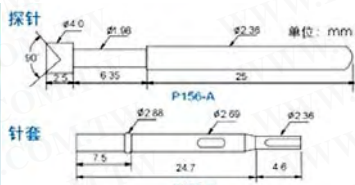


探针



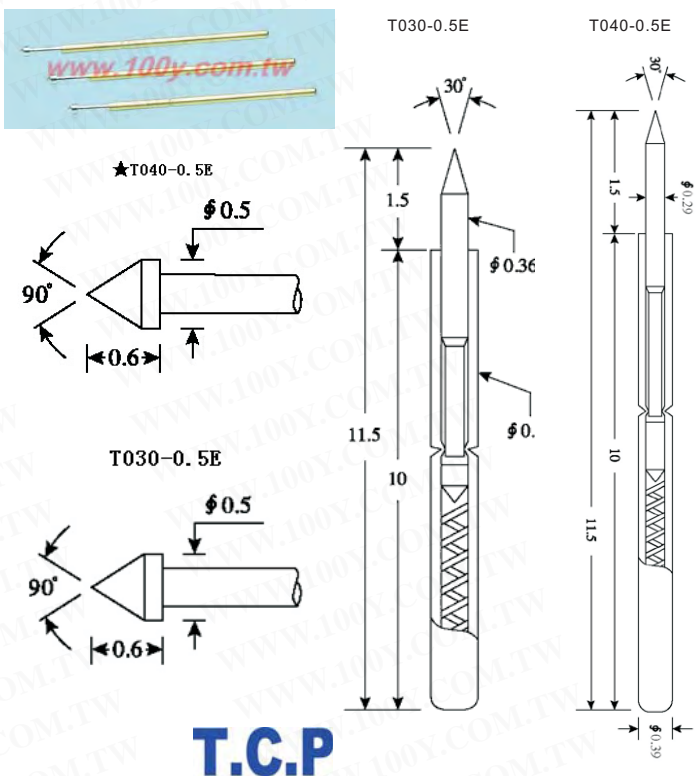
T.C.P

最小间距 (RECOMMENDED MIN CENTER): 2.54m/m
 钻孔尺寸 (MOUNTING HOLE SIZE): 1.7m/m 1.75m/m
 材质 (MATERIALS): PLUNGER: RH.PLATED BE CU
 BARREL: AU.PLATED BRASS
 行程 (FULL TRAVEL): 6.4 m/m
 弹力 (SPRING PRESSURE): 180gms, 250gms, 300 gms, 350gms
 额定电流 (CURRENT RATING): 3A
 接触电阻 (CONTACT RESISTANCE): 50 mΩ



针杆: 磷铜镀镍
 针管: 黄铜管镀金
 弹簧: 琴钢线
 钻孔尺寸: 2.75mm
 接触弹力: 250g (380g)
 额定电流: 5A

详细产品规格 - 请点击 cn.100y.com.tw



T.C.P

T030
 最小间距 (RECOMMENDED MIN CENTER): 0.85m/m
 钻孔尺寸 (DRILL SIZE): 0.65m/m
 行程 (WORK TRAVEL): 1.5m/m 2.0m/m
 全压弹力 (SPRING PRESSURE): 70g
 额定电流 (CURRENT RATING): 1A
 接触电阻 (CONTACT RESISTANCE): 150 mΩ

T040
 最小间距 (RECOMMENDED MIN CENTER): 0.75m/m
 弹簧压力 (Spring Force): 45g (2/3travel)
 行程 (Work Travel): 1.5mm
 钻孔尺寸 (Drill Size): 0.57m/m
 材质 (MATERIALS): 针轴 (Plunger): SK4 镀铑 (High Carbon Steel, Rhodium plated)
 内管 (Barrel): 白铜, 镀金 (Nickel Silver, Gold plated)
 弹簧 (Spring): 琴钢线, 镀金 (Music wire, Gold plated)
 套管 (Receptacle): 白铜, 镀金 (Nickel Silver, Gold plated)
 额定电流 (CURRENT RATING): 0.5A
 接触电阻 (CONTACT RESISTANCE): 180mΩ

100Y 编号	厂商编号	制造厂商	说明	最小间距	钻孔尺寸	行程	弹力	额定电流	接触电阻	全长	尾端直径
37345	P156-H	T.C.P	P156 系列探针		2.75MM	0.8MM	250g(380g)	5A		33.35MM	2.36MM
17927	T030-0.5E	T.C.P	探针	0.8m/m	0.65m/m	0.65m/m	70gms			11.5	0.48
17928	T040-0.5E	T.C.P	探针		0.6m/m	1.5m/m	45gms			11.5	0.39
21394	T25-1.0B-180g	T.C.P	探针	2.54m/m	1.7;1.75m/m	6.4m/m	180gms	3A	50mllllohms	33.2	1.36
23765	T25-1.0T	T.C.P	探针	2.54m/m	1.7;1.75m/m	6.4m/m	gms	3A	50mllllohms	33.2	1.36

Plunger Tip Style, Material, Tip Diameter and Finish

