



探针



F585-108-060-L-200



**Mechanical specifications**  
 Minimum Centers: 2.10 mm  
 Projection Height: 8.4- 16.0mm  
 Full Travel: 6.40 mm  
 Recommended Working Travel: 5.0mm  
 Spring Force at Recommended Travel:  
 130 cN 20% 30cN  
 200/300 cN 20% 50cN  
 260 cN 20% 100cN  
 Mechanical Life: 1.5 mill. cycles  
 Pointing Accuracy: 0.08mm  
 Operating Temperature: -20~80℃  
 Version H: -40℃~250℃(150cN, 200cN)

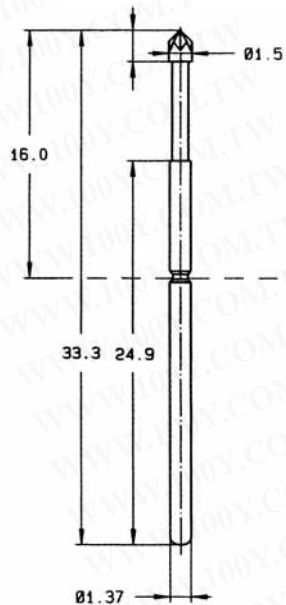
**Electrical Specifications**  
 Maximum Continuous Current: 3.0A  
 Typical Probe Resistance: 30 mOhm

**Materials and Finishes**  
 Plunger: see Tip Style  
 Barrel: Nickel Silver, Gold plated  
 On Request: Bronze, Silver plated  
 Spring: Music Wire, Silver plated  
 Receptacle: Nickel Silver, Gold plated

Order Example

Type	Tip Diameter	Spring Force
<b>F585.15B.150.G.200.H</b>		
Tip Style	Material	Plunger Finish
		Special Version

**Material:** B = BeCu, S = Steel  
**Tip Diameter:** 1.5 mm = 150 (for example)  
**Plunger Finish:** G = Gold plated, N = Nickel plated, L = Longtime gold plated, R = Rhodium plated  
**Special Version:** H = High Temperature Probe  
**Receptacle:** Order Number see drawing.



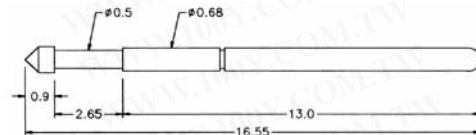
详细产品规格 - 请点击 cn.100y.com.tw

P-0 SERIES PRECISION PROBES



**MATERIALS**

Plunger	Heat-treated Beryllium Copper Rhodium plated over hard nickel
Spring	Music wire.Gold plated
Barrel	Phosphor Bronze , Gold plated
Receptacle	Phosphor Bronze , Gold plated



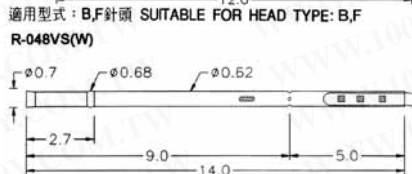
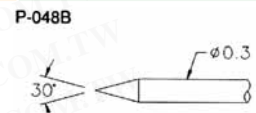
最大间距: 1.27m/m  
 最大行程: 2.0m/m  
 弹簧压力 (20%): 55gms  
 额定电流: 3.5A  
 接触电阻: 50milliohms

P-048 SERIES PRECISION PROBES & RECEPTACLES



**MATERIALS**

主轴 Plunger	HIGH CARRON STEEL. Rhodium plated
弹簧 Spring	Music wire.Gold plated
外管 Barrel	Beryllium Copper.Gold plated
Receptacle	Beryllium Copper, Gold plated



**New:45°**  
 最大行程: 2.0m/m  
 弹簧压力 (20%): 55gms  
 额定电流: 3.5A  
 接触电阻: 50milliohms

100Y 编号	厂商编号	制造厂商	说明	最小间距	钻孔尺寸	行程	弹力	额定电流	接触电阻	全长	尾端直径
12572	F585-10B-060-L-200	Feinmetall	探针	2.54m/m	2.10m/m	5.0mm		3A	30mOhm	33.3mm	1.37mm
10742	P-048BS-0606/PR-048VS-D360		探针								
12501	P-0H-0612		探针	1.27m/m		2.65m/m	120gms	3A	50milliohm		

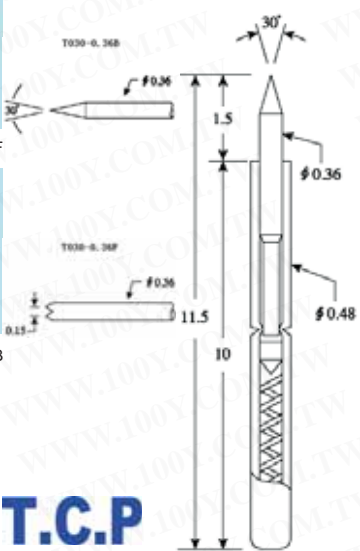


T030-0.36F



T030-0.36B

最大间距: 0.85m/m  
 钻孔尺寸: 0.65m/m  
 行程: 1.5m/m  
 2.0m/m  
 弹簧压力: 70gms  
 额定电流: 1A  
 接触电阻: 150m Ω



T.C.P

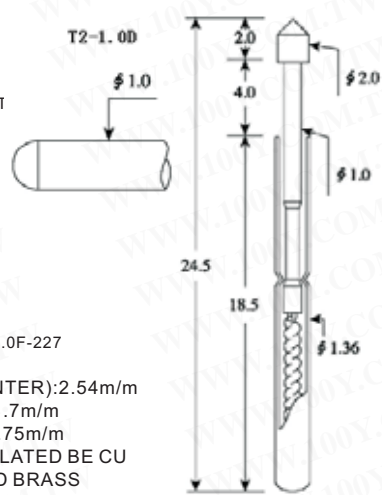


T2-1.0F (直爪)



T2-1.0F-227

最小间距 (RECOMMENDED MIN CENTER): 2.54m/m  
 钻孔尺寸 (MOUNTING HOLE SIZE): 1.7m/m  
 1.75m/m  
 材质 (MATERIALS): PLUNGER: RH.PLATED BE CU  
 BARREL: AU.PLATED BRASS  
 行程 (FULL TRAVEL): 2.54; 3.0 m/m 3.5; 4.0 m/m  
 全压弹力 (SPRING PRESSURE): 150g  
 额定电流 (CURRENT RATING): 3A  
 接触电阻 (CONTACT RESISTANCE): 50 m Ω



T.C.P

100Y 编号	厂商编号	制造厂商	说明	最小间距	钻孔尺寸	行程	弹力	额定电流	接触电阻	全长	尾端直径
17925	T030-0.36B	T.C.P	探针	0.8m/m	0.65m/m	0.65m/m	70gms			11.5	0.48
17926	T030-0.36F	T.C.P	探针	0.8m/m	0.65m/m	0.65m/m	70gms			11.5	0.48
12566	T2-1.0D-227	T.C.P	探针	2.54m/m	1.7;1.75m/m	2.54;3.0;3.5;4.0m/m	227gms	3A	50milliohm	22.7	1.36
12759	T2-1.0F-227	T.C.P	探针	2.54m/m	1.7;1.75m/m	2.54;3.0m/m 3.5;4.0m/m	150gms	3A	50milliohms	24.5	1.36

