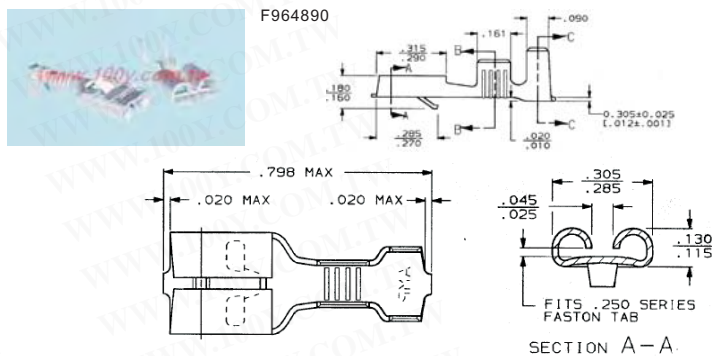
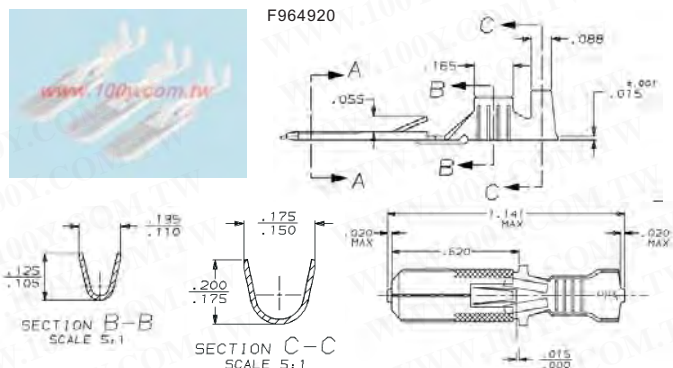




AMP_公座+母座+端子



详细产品规格 - 请点击 cn.100y.com.tw

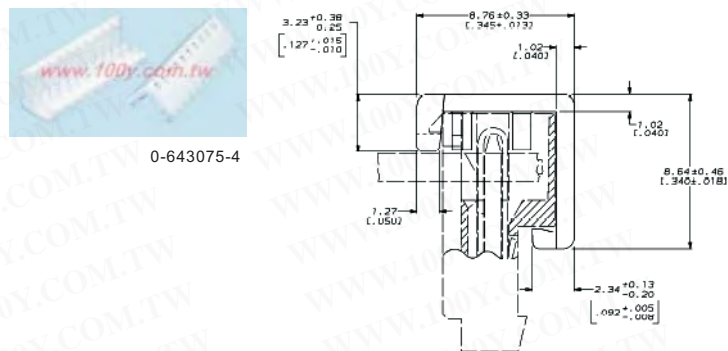
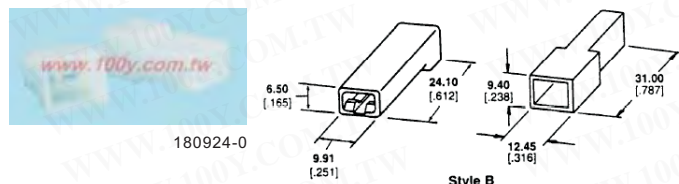


3-640429-6

Other properties
 Cable exit angle : 90
 Housing flammability rating : UL-94V-2
 Housing material : Nylon
 Current rating(Amps.):7
 Mating connector lock type : locking ramp
 Voltage rating (VAC): 600

3-640442-3

Other properties
 Cable exit angle : 90
 Housing flammability rating : UL-94V-2
 Housing material : Nylon
 Packaging method : Loose piece
 Voltage rating (VAC): 250



0-0640545-2

The Multimate Enhanced High Current Type III+ stamped and formed contact system provides a significant improvement in current carrying capability over our current Type III+ contact. This new contact system has a slightly different contact material, but is identical to our current Type III+ offering in size and will work in all Multimate connector housings.

100Y 编号	厂商编号	制造厂商	说明	Pins/角度	插板/焊线式	公/母-头/座	类型
15114	0-0350967-1	AMP	1-064508-0 啮鼠 Pin				镀锡铅
17504	0-0640545-2	AMP	1-064507-0 Pin				镀金
22594	0-640442-6	AMP	MTA-100 Connectors	6P			MTA-100
28241	0-640442-7	AMP	MTA-100 Connectors	7P			MTA-100
23457	0-640442-8	AMP	MTA-100 Connectors	8P			MTA-100
40333	0-643075-3	AMP	3P MTA 100 MOLDED COVER ROHS	3P			MAT-100
40598	0-643075-4	AMP	3P MTA 100 MOLDED COVER ROHS	4P			MAT-100
40255	0-643075-6	AMP	6P MTA 100 MOLDED COVER ROHS	6P			MAT-100
15111	1-0640508-0	AMP	AMP_ 蜂读?	3P		母接头	
15112	1-0640518-0	AMP	AMP_ 蜂读?	3P		公接头	
18686	1-643075-1-00	AMP	11P MTA100 MOLDED COVER				
23482	180924-0	AMP	'Fastin-Faston' HOUSING			Female	2WAY
20166	3-640429-6	AMP	SL Connectors	6P			MTA-156 Connectors
40597	3-640442-3	AMP	MTA-100 Connectors	3P		母	MTA-100
40596	3-640442-4	AMP	MTA-100 Connectors	4P		母	MTA-100
19761	4-640442-1-00	AMP	MTA-100 Electrical Connectors	11P			MTA-100
23480	F964890	AMP	Crimp Terminals for 'Fastin-Faston'		Repress Connect	Female	
23481	F964920	AMP	Crimp Terminals for 'Fastin-Faston'		Repress Connect	Male	

欢迎下载最新版电子目录

CN.100Y.COM.TW

