



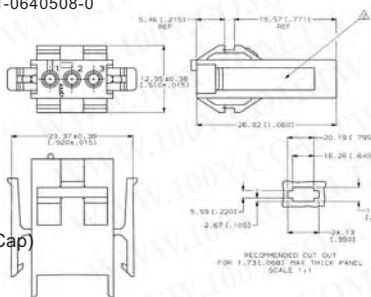
AMP\_公座+母座+端子



详细产品规格 - 请点击 [cn.100y.com.tw](http://cn.100y.com.tw)



1-0640508-0

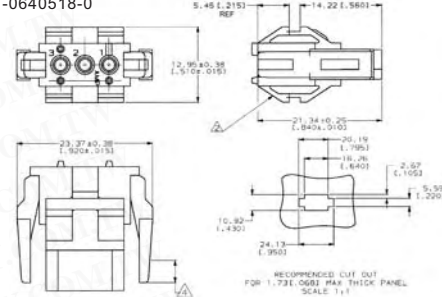


Searchable Features:

- Centerline, Matrix (mm [in]): 4.19 [.165]
- Contact Layout: In-Line
- Housing Type: Receptacle (Cap)
- Other Properties:
  - Housing Material: Nylon
  - Lock Type: Positive Lock
  - Voltage (VAC): 250
  - Housing Flammability Rating: UL 94V-0



1-0640518-0

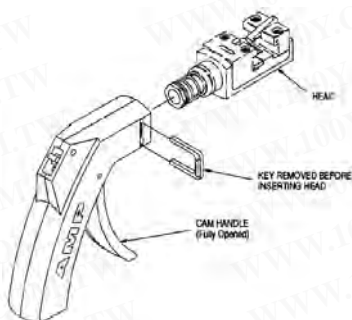


Searchable Features:

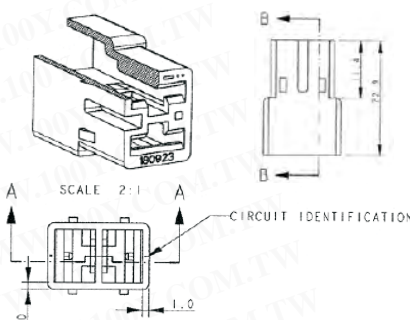
- Centerline, Matrix (mm [in]): 4.19 [.165]
- Contact Layout: In-Line
- Housing Type: Plug
- Other Properties:
  - Housing Material: Nylon
  - Lock Type: Positive Lock
  - Voltage (VAC): 250
  - Housing Flammability Rating: UL 94V-0



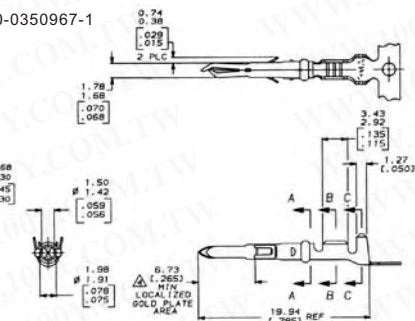
0-0058074-1



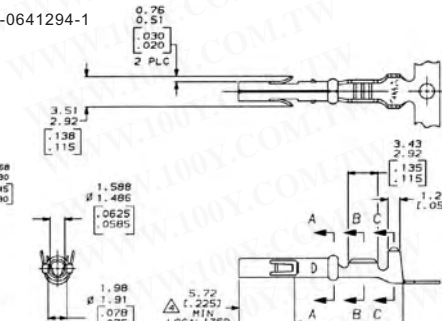
F964736



0-0350967-1



0-0641294-1

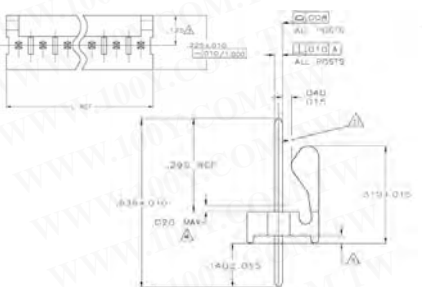


- Wire Range: 0.12~0.9mm<sup>2</sup> (26~18 AWG).
- Insulation Range: 1.27~2.92[.05-.115]MAX. DIA.
- Dimensions in brackets are in inches.

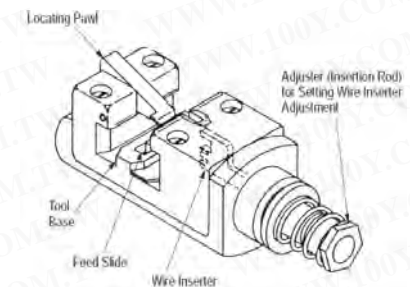
- Wire Range: 0.12~0.9mm<sup>2</sup> (26~18 AWG).
- Insulation Range: 1.27~2.92[.05-.115]MAX. DIA.
- Dimensions in brackets are in inches.



640456-6



58246-1



100Y 编号	厂商编号	制造厂商	说明	Pins/角度	公/母-头/座	类型
23854	0-0058074-1	AMP	MTA-100 Connectors 腔式嵌拉			
28272	0-0350967-1	AMP	1-064508-0 酪鼠 Pin			镀锡铅
28273	0-0641294-1	AMP	1-064518-0 酪鼠 Pin			镀锡铅
15115	0-0641294-1	AMP	1-640518-0 酪鼠 Pin			镀锡铅
17503	1-0640507-0	AMP	AMP_ 蜂谈?	2P	母接头	
30154	1-0640509-0	AMP	AMP_ 蜂谈?	4P	母接头	
32032	1-0640510-0	AMP	AMP_ 蜂谈?	6P	母接头	
32033	1-0640511-0	AMP	AMP_ 蜂谈?	9P	母接头	
30216	1-0640517-0	AMP	AMP_ 蜂谈?	2P	公接头	
32031	1-0640519-0	AMP	AMP_ 蜂谈?	4P	公接头	
32288	1-0640520-0	AMP	AMP_ 蜂谈?	6P	公接头	
32034	1-0640521-0	AMP	AMP_ 蜂谈?	9P	公接头	
24672	58246-1	AMP	0-640442-6 腔脚谈笋			
40334	640456-6	AMP	6P MTA 100 Header	6P		MAT-100
23483	F964736	AMP	'Fastin-Faston' HOUSING		Male	2WAY

