



DVI 插板式连接头

详细产品规格 - 请点击 cn.100y.com.tw



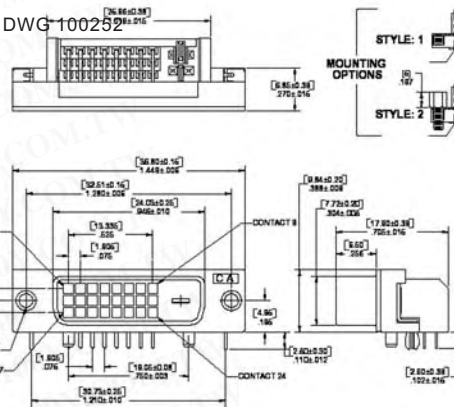
NOTES:

- FOR SPECIFICATION AND PERFORMANCE CHARACTERISTICS SEE CA DWG 10025
- ENVIRONMENTAL:
TEMPERATURE RANGE -20C TO +85C
- ELECTRICAL:
RATED: 1.5A @ 40V AC (rms)
CONTACT RESISTANCE: 20 MILLIOHMS MAXIMUM
INSULATION RESISTANCE: 1000 MEGOHMS MINIMUM
DIELECTRIC WITHSTANDING VOLTAGE: 500V AC (rms)
- MECHANICAL:
MATING FORCE: 10 LB. [4.5 kg] MAXIMUM
UNMATING FORCE: 2.2 LB. [1 kg] MINIMUM, 8.8 LB. [4 kg] MAXIMUM
- MATERIAL:
HOUSING: GLASS FILLED THERMOPLASTIC, NATURAL, UL 94V-0
CONTACT: PHOSPHOR BRONZE
SHELL: ZINC ALLOY, NICKEL PLATED
BOARD LOCK: COPPER ALLOY, TIN PLATE

CA-24DVISDR-A-2-Z



CA-29DVISIR-A

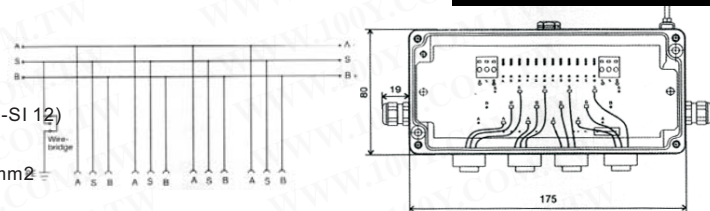


100Y 编号	厂商编号	说明	角度	公、母座	Pins
13961	CA-24DVISDR-A-2-Z	DVI 插板式连接头	90°	母座	24P
13960	CA-29DVISIR-A	DVI 插板式连接头	90°	母座	29P

Weidmuller T型接头 Weidmuller T型接头



- Temperature Range: -40°C to +85°C
 Type of protection: IP 66
 Enclosure material: high-quality aluminium alloy (AL-SI 12)
 Surface finish: painted, RAL 7001
 Profibus PA connection: tension spring clip, 0.5-1.5mm ϕ
 Cable entry: M16 screwed cable gland
 Clamping range: 5.5-9.5mm



100Y 编号	厂商编号	制造厂商	说明
32000	8564260000	Weidmuller	T 型接头

其它类连接头 / 座 其它类-连接器

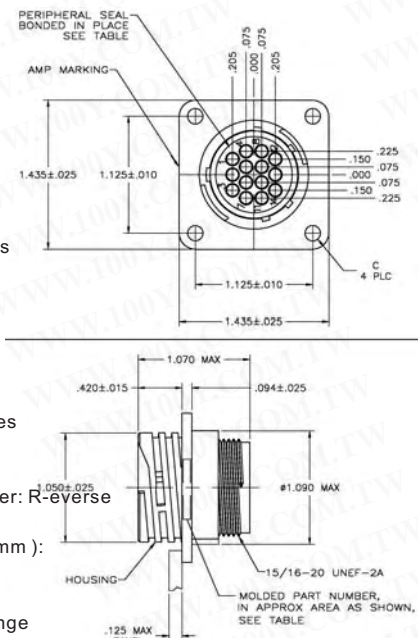
详细产品规格 - 请点击 cn.100y.com.tw



0-206043-1

Searchable Features:

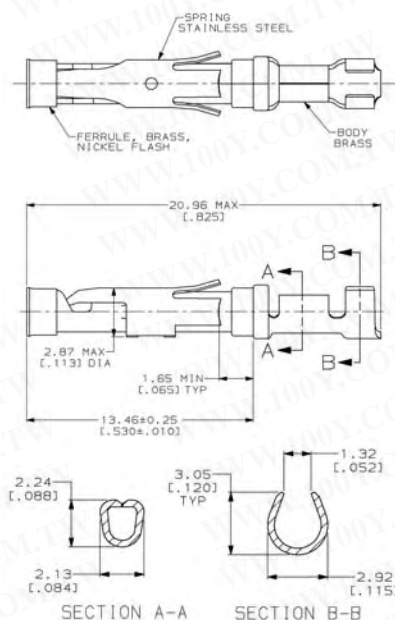
- Gender: Receptacle
 - Used With: Socket Contacts
 - Preloaded: No
 - Terminate To: Wire
 - Shell Size: 17
 - Shell Type: All Plastic
 - Product Series: Series 1
 - Reverse Numbering: No
 - Mount Style: Mounting Holes
 - Sealed: No
 - VDE Tested: No
 - Standard or Reverse Gender: R-verse
- Other Properties:**
- Wire Insulation Diameter (mm): 2.54mm
 - Panel Attachment Method: Square Flange
 - Housing Material: Thermoplastic
 - Housing Color: Black
 - Housing Material Flammability Rating: UL 94V-0v
 - Keying: A



0-066181-1

Searchable Features:

- Pin/Socket: Socket
 - High Current: No
 - Packaging Method: Loose Piece
 - Wire Range (mm [AWG]): 0.80- 1.402 [18-16]
 - Contact Material: Copper Alloy
 - Termination End Plating: Gold
 - Product Type: Type III+
 - Contact Size: 16
 - Contact Type: Signal
 - Terminate To: Wire
 - Insulation Support: Yes
 - Wire Termination Type: Solder
- Other Properties:**
- Pin Diameter (mm): 1.57
 - Wire/Cable Type: Discrete Wire
 - Test Current (Amps.): 13.0
 - Spring Material: Stainless Steel
 - Grade: Commercial
 - Used With: M Series Connectors, CPC Connectors.
 - Extraction Tool: 305183



100Y 编号	厂商编号	制造厂商	说明	类型	Pins
12905	0-066181-1		母连接头 14P 之 PIN 脚		
12831	0-206043-1		母连接头 14P		14P

