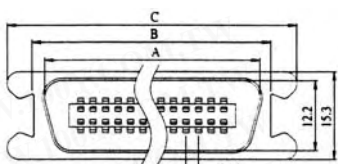


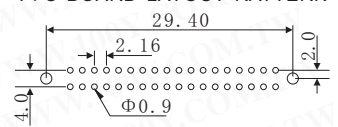


E18-14P

POSITION	A	B	C
14M	25.50	29.40	38.50
24M	36.30	40.20	49.30
36M	49.30	53.50	62.00
50M	64.40	68.30	77.40

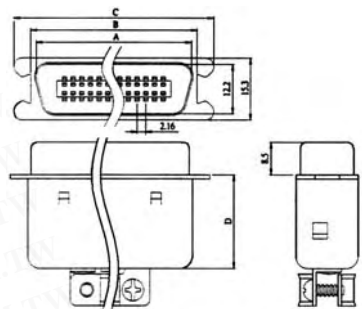


P. C BOARD LAYOUT RATTERN



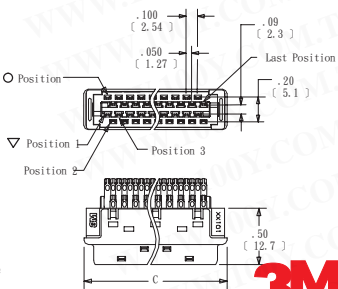
E20-36P

POSITION	A	B	C	D
14M	25.5	29.4	38.5	21.2
24M	36.3	40.2	49.3	21.2
36M	49.3	53.5	62.0	22.6
50M	64.4	68.3	77.4	24.8



额定电流: 1A
 绝缘电阻: >1x108Ω at 500VDC
 承受电压: 500 Vrms for 1 minute
 温度范围: -55°C to +105°C
 焊剂过程: 360°C max for 10sec. max

20, 36 & 40 Position



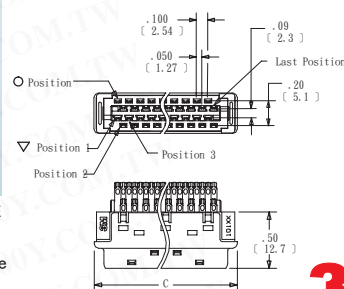
Contact Quantity	Dimensions		
	A	B	C
14	.300[7.62]	.54[13.8]	.72[18.2]
20	.450[11.43]	.69[17.6]	.87[22.0]
26	.600[15.24]	.85[21.5]	1.02[25.8]
36	.850[21.59]	1.09[27.8]	1.27[32.2]
40	.950[24.13]	1.19[30.3]	1.37[34.7]
50	1.200[30.48]	1.44[36.7]	1.62[41.1]



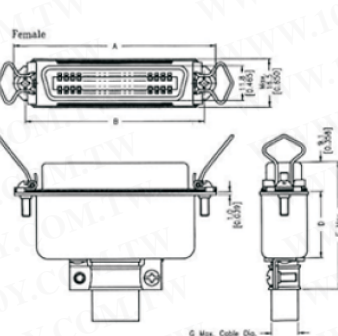
10136-3000PE

额定电流: 1A
 绝缘电阻: >1x108Ω at 500VDC
 承受电压: 500 Vrms for 1 minute
 温度范围: -55°C to +105°C
 焊剂过程: 360°C max for 10sec. max

20, 36 & 40 Position



Contact Quantity	Dimensions		
	A	B	C
14	.300[7.62]	.54[13.8]	.72[18.2]
20	.450[11.43]	.69[17.6]	.87[22.0]
26	.600[15.24]	.85[21.5]	1.02[25.8]
36	.850[21.59]	1.09[27.8]	1.27[32.2]
40	.950[24.13]	1.19[30.3]	1.37[34.7]
50	1.200[30.48]	1.44[36.7]	1.62[41.1]



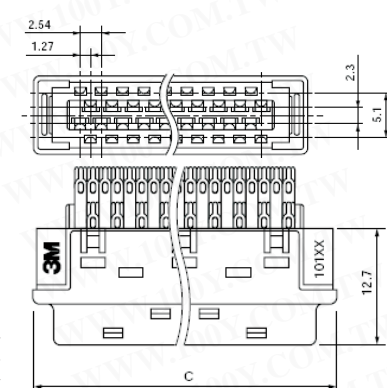
E22-36P



10136-3000VE



极数	编号	A	B	C
36	10136-3000VE	21.59	27.8	32.2



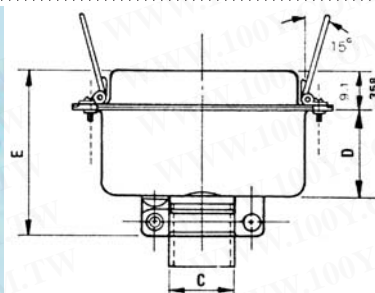
E20-50P-2



E22-50P



E20-14P



100Y 编号	厂商编号	制造厂商	说明	类型	Contacts
23053	10126-3000VE+10326-52A0-008	3M	10126+Shell 高密度 HC26Pins+外壳(焊接式,锁螺型)	HC	26P
39936	10136-3000PE	3M	3M_MDR 10136 高密度 HC36Pin 公	HC36P	36P
39282	10136-3000VE	3M	3M_MDR 10136 高密度 HC36Pin 公	HC36P	36P
39283	10136-6000EL	3M	3M_IDC 10136 36Pin 公	HC36P	36P
15247	E18-14P		C-Type 焊线公头+铁壳	焊线式	14P
11331	E20-14P		C-Type 焊线公头+铁壳	焊线公头	14P
3312	E20-24P		焊线公头+铁壳	焊线公头	24P
3313	E20-36P		焊线公头+铁壳	焊线公头	36 P
2312	E20-50P		焊线公头+铁壳	焊线公头	50 P
34902	E20-50P-2				
11332	E22-14P		C-Type 焊线母头+铁壳	焊线式母头	14P
2311	E22-36P		焊线母头+铁壳	焊线式母头	36 P
3345	E22-50P		焊线母头+铁壳	焊线母头	50P

